

## WB Series - Mini Enclosure

### Features and Benefits

Mini Junction Box for Low Profile applications

Weather-Proof Stainless Steel or Powder Coated Steel for Indoor or Outdoor use

Fiber - ST, LC, SC, SMPTE 304M, opticalCON

Copper - BNC, XLR, RJ45, etherCON

Bottom Cut Out Allows Cable Attachment With Door Closed

Hinged panel for easy service access

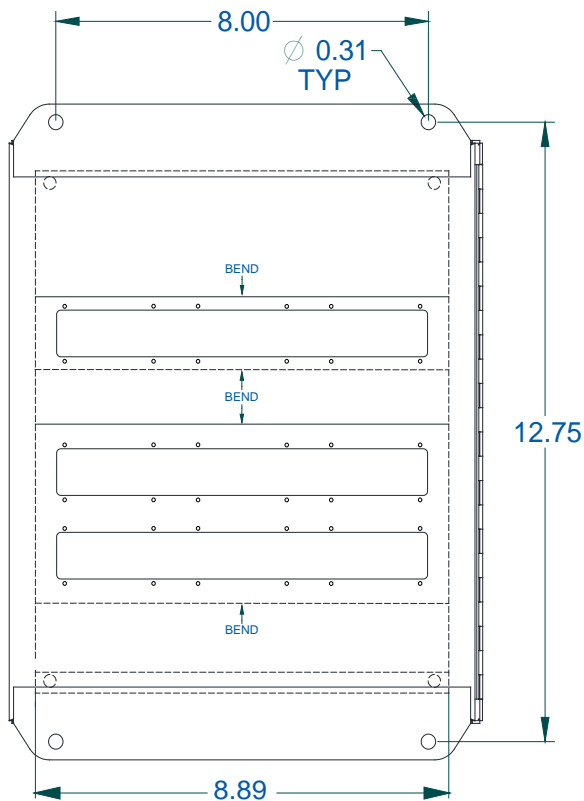
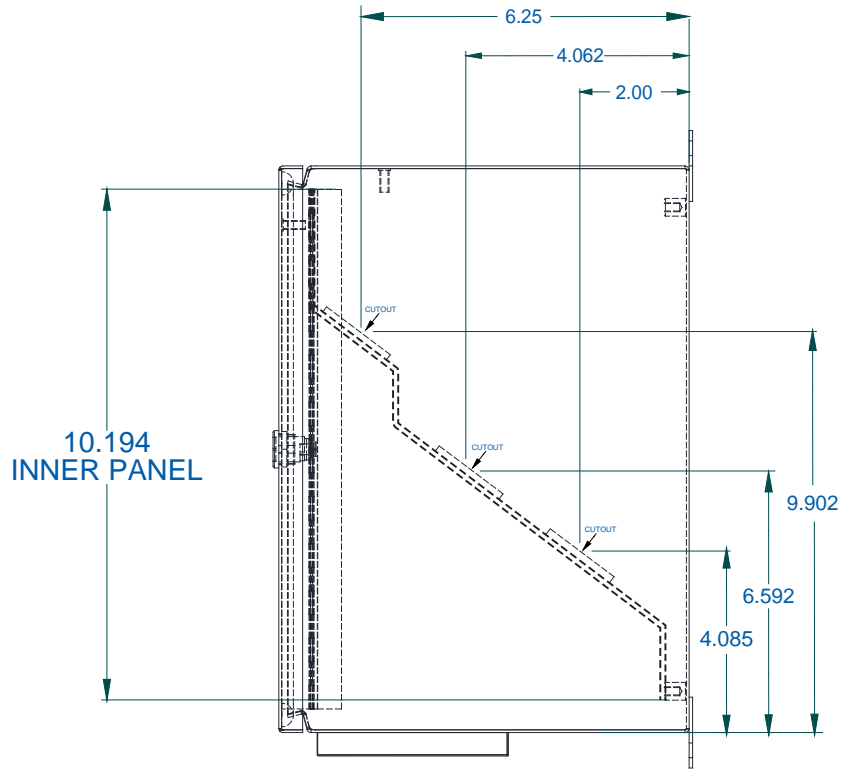
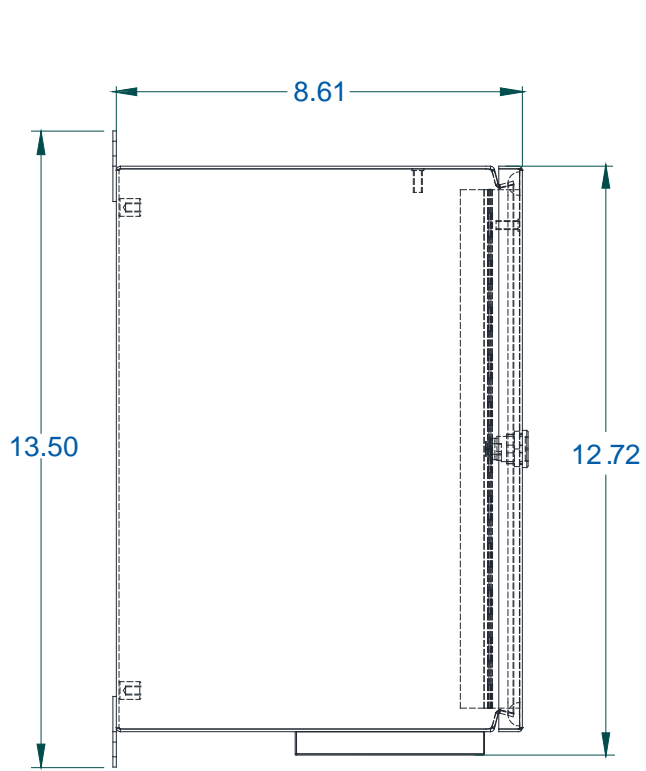


WB Series	Material/Color	Center Hole	Connector Option	Center Connector Qty	Top Hole	Connector Option	Top Connector Qty	Bottom Hole	Connector Option	Top Connector Qty	Handle Options	Cable Access Cutout
<b>X-WB</b>		<b>1</b>			<b>2</b>			<b>3</b>				
<b>Box Size</b>	<b>Box Material</b>	<b>Center Options</b>		<b>Top Options</b>		<b>Bottom Options</b>		<b>Handle / Lock</b>		<b>Cable Access</b>		
12" x 10" x 8"	<b>BLANK</b> Powder Coated Steel <b>SS</b> Stainless Steel	12 Max	<b>B</b> Blank/NA <b>ST</b> SM ST <b>SC</b> SM SC <b>LC</b> SM LC <b>BN</b> BNC	12 Max	<b>B</b> Blank/NA <b>ST</b> SM ST <b>SC</b> SM SC <b>LC</b> SM LC <b>BN</b> BNC	12 Max	<b>B</b> Blank/NA <b>ST</b> SM ST <b>SC</b> SM SC <b>LC</b> SM LC <b>BN</b> BNC	6 Max	<b>XF</b> XLR - Female <b>XM</b> XLR - Male <b>RB</b> Recessed BNC <b>NE</b> etherCON <b>OCD</b> opticalCON Duo <b>OCQ</b> opticalCON Quad	<b>QL</b> Key Lock <b>WL</b> Wing knob lock <b>WK</b> Wing knob non-lock	<b>Blank*</b> Cutout Access <b>NA</b> No Cable Access Cutout	
		3** Max	<b>PSC</b> SMPTE Plug with SC <b>PST</b> SMPTE Plug with ST <b>PLC</b> SMPTE Plug with LC <b>SSC</b> SMPTE Socket with SC <b>SST</b> SMPTE Socket with ST <b>SLC</b> SMPTE Socket with LC									

Latch Options		
QTR turn slot	QL	WL

\*Enclosure come standard with quarter turn latches, leaving handle option blank will default to this selection

\*\*4 SMPTE connectors fit with tight constraints, recommendation is 3 max

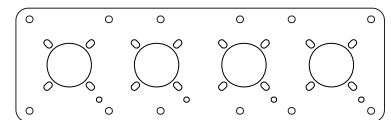


**INSERT OPTIONS**

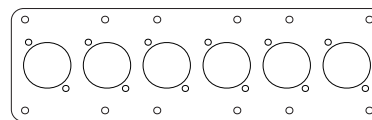
**BLANK**



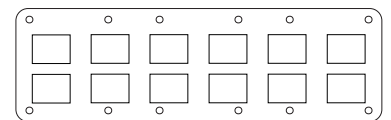
**SMPTE**



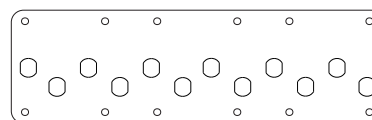
**NEUTRIK D SERIES**



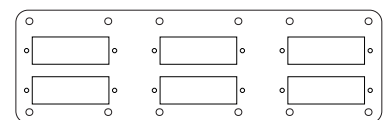
**LC DUPLEX / SC SIMPLEX**



**ST**



**SC DUPLEX**



**BNC**

